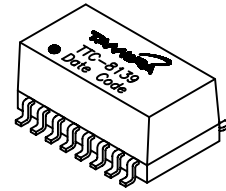




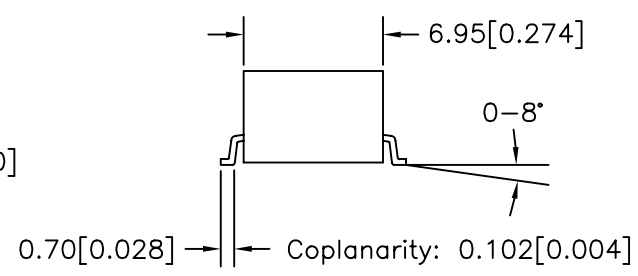
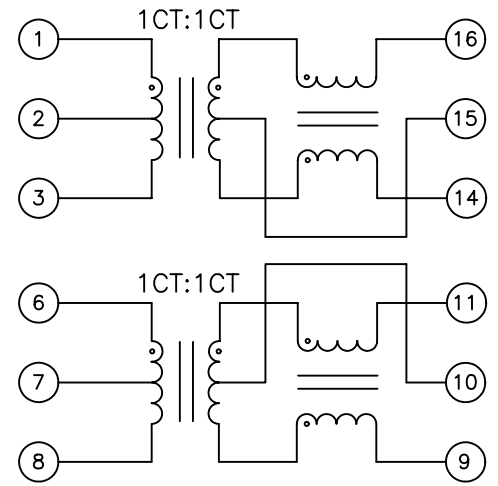
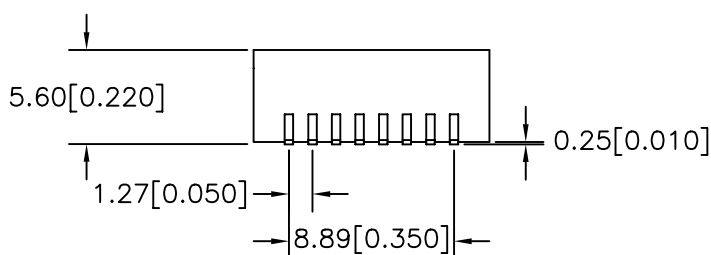
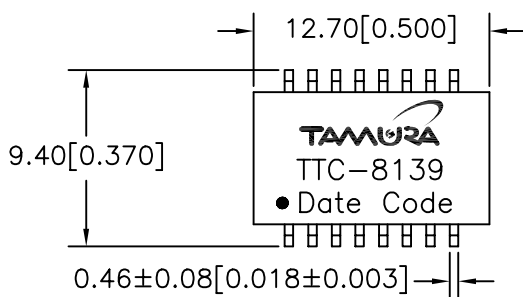
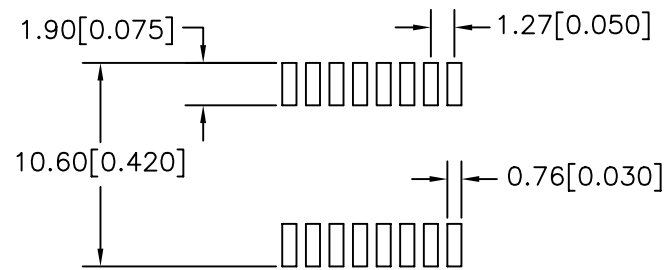
# 10/100 Base-X LAN Magnetic Module Single Port, 16 pin SOIC

MODEL NUMBER  
**TTC-8139**

- Complies with IEEE 802.3 Standard
- Surface Mount Device withstands IR reflow profile process
- Enhanced Common Mode Attenuation
- Operating temperature: 0°C to 70°C
- Storage temperature: -40°C to 85°C
- Molded package



Electrical Specification @ 25°C							
Insertion Loss (dB Max)	Return Loss (dB Min)			CMRR (dB Typ)	Crosstalk (dB Min)	OCL (μH Min)	Hipot (Vrms)
	0.1-100 MHz	0.1-30 MHz	60 MHz				
0.1-100 MHz	0.1-30 MHz	60 MHz	80 MHz	0.1-100 MHz	0.1-100 MHz	8mAdc 100KHz, 0.1Vrms	1 minute
-1	-18	-14	-12	-35	-35	350	1500



PREPARED BY:

D. Rund  
ENGINEER:  
L. Le  
QUALITY CONTROL:  
T. Clem  
APPROVED:  
J. Coleman

NOTE: Unless otherwise specified, all dimensions are mm[in] with tolerance of ±0.25[0.010]

DWG CONTROL NO. P-A1-12676 ACAD\TTC\A1126761.DWG	REV -	10/100 Base-X LAN Magnetic Module Single Port, 16 pin SOIC
<b>TAMURA CORPORATION OF AMERICA</b> 43352 BUSINESS PARK DRIVE, TEMECULA, CA. 92590-6624 (909) 699-1270 FAX 9096769482		

<b>TTC-8139</b>		
MODEL SPECIFICATION		
DIM: mm(ln)	SCL: none	SH: 1 OF 1

PROPRIETARY NOTICE: THIS DRAWING PRINT OR DOCUMENT AND SUBJECT MATTER DISCLOSED HEREIN ARE PROPRIETARY ITEMS TO WHICH TAMURA RETAINS THE EXCLUSIVE RIGHT OF DISSEMINATION, REPRODUCTION, MANUFACTURE AND SALE. THIS DRAWING, PRINT OR DOCUMENT IS SUBMITTED IN CONFIDENCE FOR CONSIDERATION BY THE RECIPIENT ALONE UNLESS PERMISSION FOR FURTHER DISCLOSURE IS EXPRESSLY GRANTED IN WRITING.