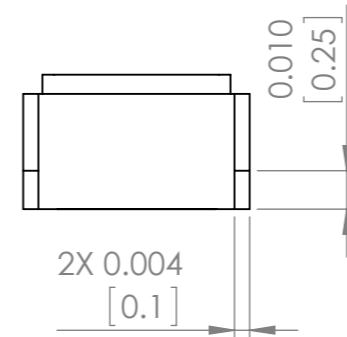
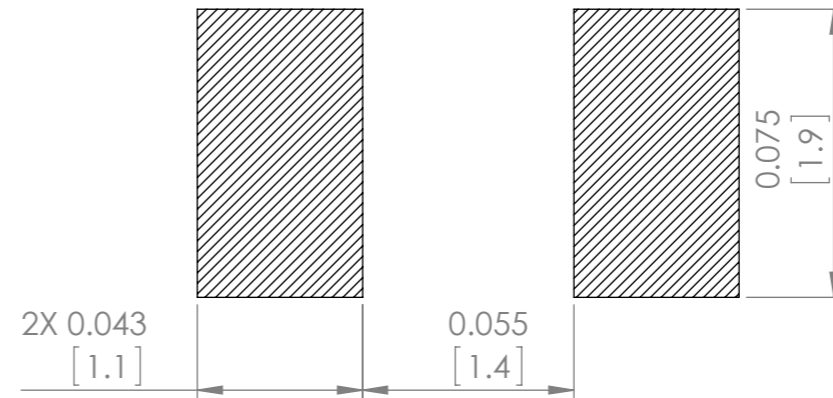
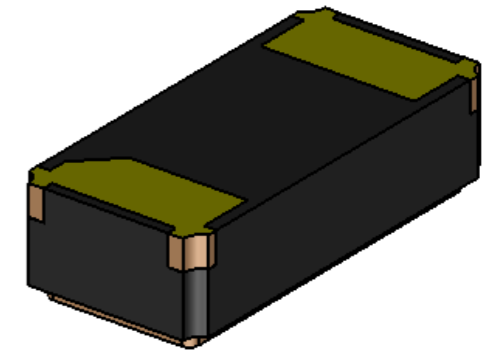
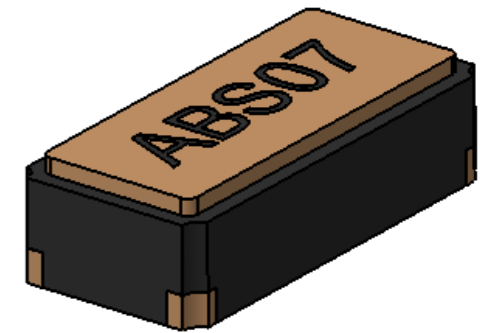


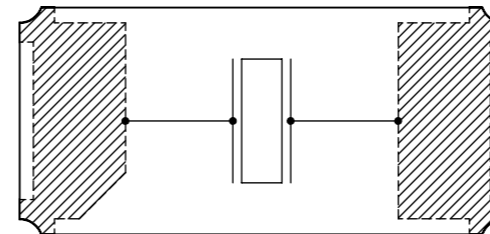
Recommended Land Pattern




Part Number	Height (H)
ABS07	0.9 mm max.
ABS071	0.65 mm max.



Connections



Note: Due to material availability, the outline and finish color of the component may vary. This variation in no way affects the electrical performance of the product.

UNLESS OTHERWISE SPECIFIED: DIMENSIONS ARE IN INCH(MM) SURFACE FINISH: TOLERANCES: LINEAR: ANGULAR:				FINISH:	DEBUR AND BREAK SHARP EDGES	DO NOT SCALE DRAWING	REVISION -
DRAWN	SAAZVAT	SIGNATURE	DATE			 30332 Esperanza, Rancho Santa margarita, California 92688	
CHK'D	XXXXXX					TITLE: kHz SMD Crystal	
APPV'D						DWG NO.	A3
MFG						ABS07	
Q.A				MATERIAL:		SCALE:20:1	SHEET 1 OF 1
				WEIGHT:			