

THIS DRAWING IS UNPUBLISHED. RELEASED FOR PUBLICATION 2009  
 COPYRIGHT 2009 BY TYCO ELECTRONICS CORPORATION. ALL RIGHTS RESERVED.  
 MATED WITH: PASSEND ZU: -

LOC	DIST	REVISIONS			
P	LTR	DESCRIPTION	DATE	DWN	APVD
A1	-	1703013-2 und/AND 1703017-2 hinzugefuegt/ADDED	24FEB2004	Abr	C.G.
A2	-	Ausfuehrng. je nach Wkzg./VARIANT DEPENDS ON TOOLING	12APR2005	Abr	C.G.
A3	-	1703013-8. und/AND NOTE 3 hinzugefuegt/ADDED	17OCT2005	K.F.	C.G.
A5	-	NEW PROE DRAWING CREATED ECR-10-007842	12APR2010	Frue	Goe

REMARKS  
Bemerkungen

1 PRE TINNED  
vorverzinnt 1-3 µm

2 FINISH: ELECTROPLATED SILVER  
Oberflaeche: galvanisch versilbert

ZONE "A": MIN. 3-5 µm Ag  
min. 3-5 µm Ag

ZONE "B": MIN. 1-3 µm ELECTROPLATED SN  
min. 1-3 µm galvanisch Sn

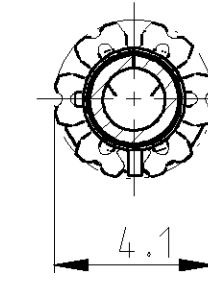
REST: SILVER OR TIN ALLOWED. IN TRANSITION AREAS  
OVERLAPPING LAYER OR PLAIN SURFACES ARE NOT ALLOWED.  
Silber oder Zinn erlaubt. Im Uebergangsbereich sind keine ueberlappenden Schichten oder blanke Stellen erlaubt.

3 FINISH: ELECTROPLATED GOLD  
Oberflaeche: galvanisch vergoldet

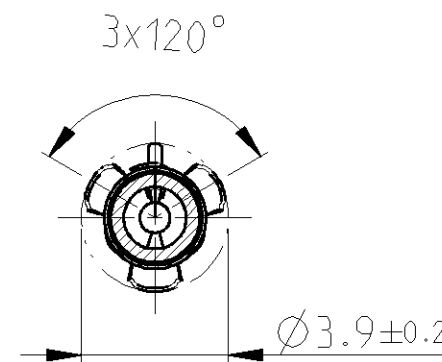
ZONE "A": MIN 0.8 µm ELECTROPLATED Au OVER MIN 1.3 µm ELECTROPLATED Ni LAYER  
min 0.8 µm galvanisch Au ueber min 1.3 µm galvanisch Ni

ZONE "B": MIN 1-2 µm ELECTROPLATED SN OVER MIN 0.05 µm ELECTROPLATED Ni LAYER  
min 1-2 µm galvanisch Sn ueber min 0.05 µm galvanisch Ni

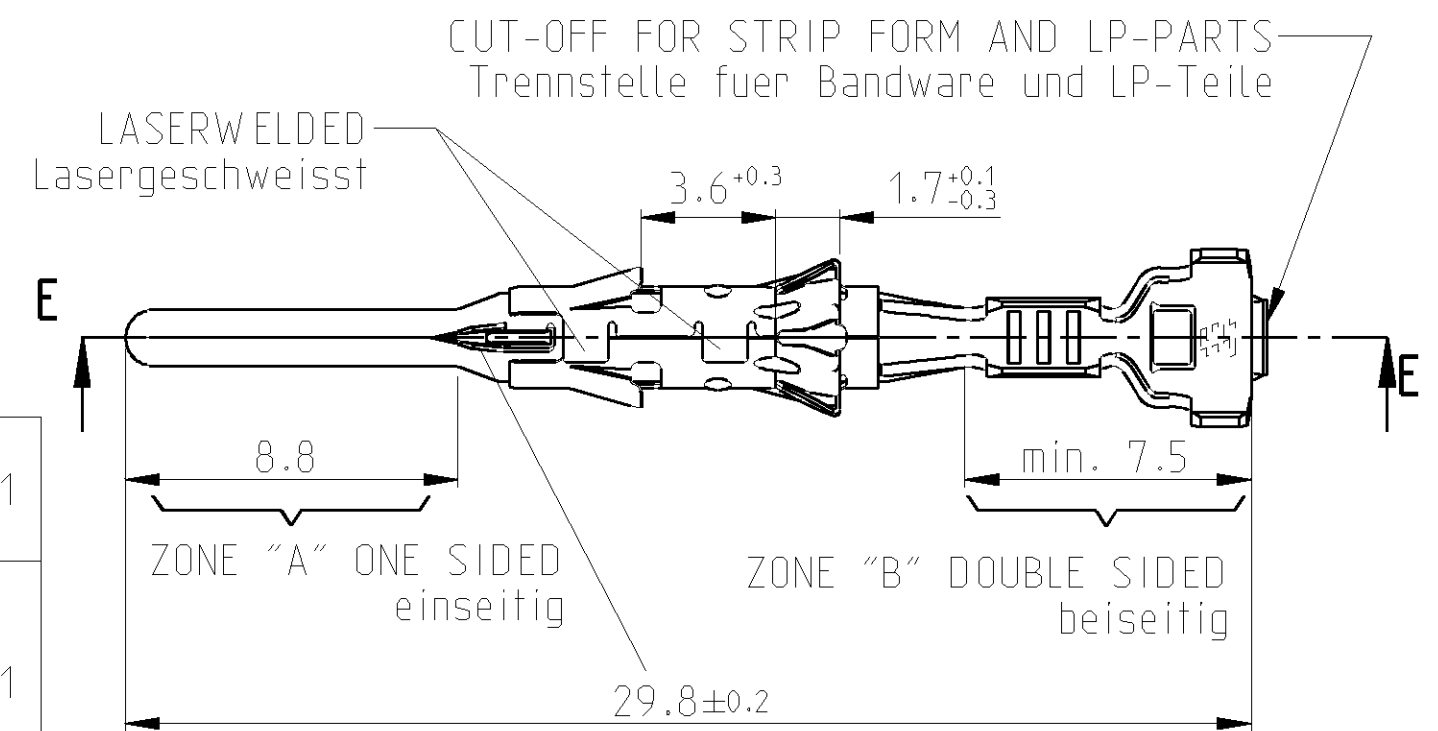
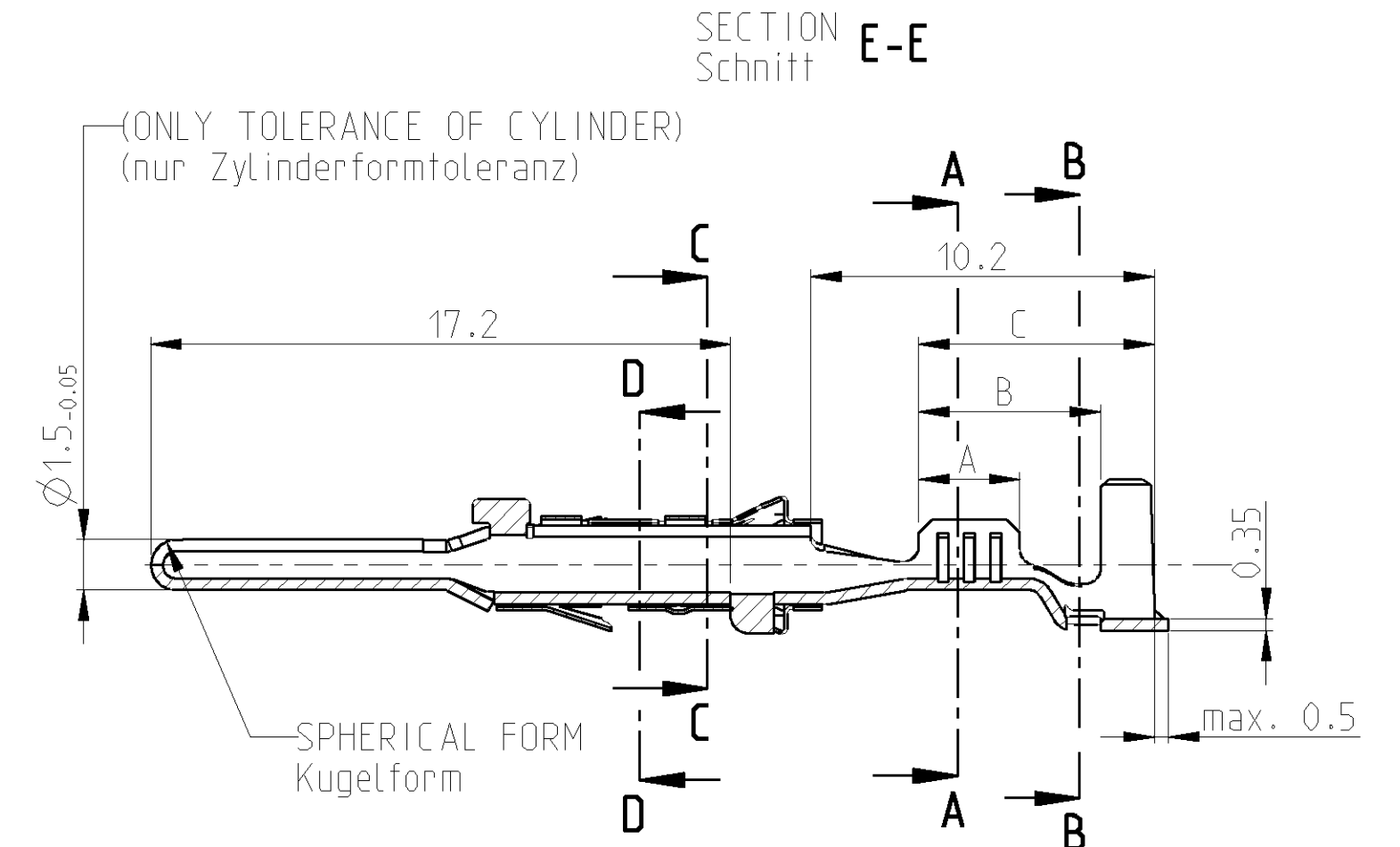
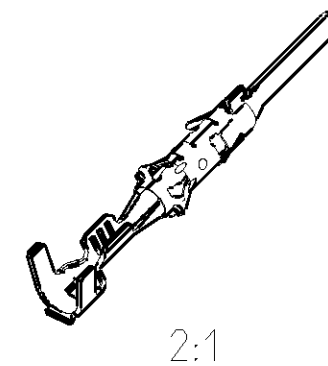
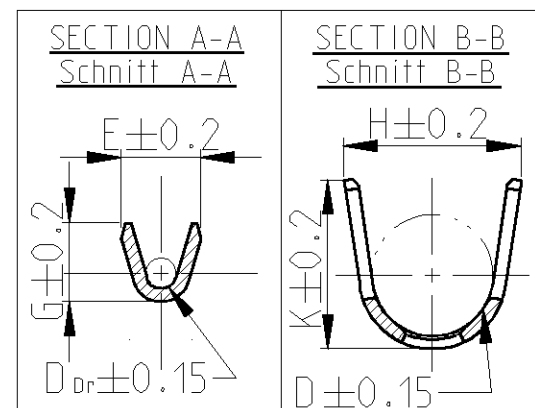
REST: GOLD, TIN OR NICKEL SURFACE. NO PLAIN SURFACES ALLOWED  
Gold, Zinn oder Nickel Oberflaeche. Keine blanke Stellen erlaubt.



SECTION C-C  
Schnitt



SECTION D-D  
Schnitt



TE ORDER-No. STRIP FORM Bandware	TE ORDER-No. LOOSE PIECE. Einzelausfuehrung	REV.	MATERIAL Werkstoff	SURFACE Oberflaeche	DGB [mm <sup>2</sup> ]	ISOL. Ø [mm]	WIRE CRIMP Drahtcrimp	INSUL.-CRIMP Isol.-Crimp	A	B	C	TE ORDER-No. SINGLE SEAL Einzeldichtung	TE ORDER-No. DEAD END PLUG Blindstopfen
1703014-4	1703018-4	A	CuFe2	1	>1.0-2.5	2.2-3.0	E=3.6 G=3.8 D or =1.7	H=5.0 K=5.0 D=3.6	4	6.9	8.5	828905-1	828922-1
1703014-1	1703018-1	A	CuNiSi	1	0.5-1.0	1.2-2.1	E=2.6 G=2.8 D or =1.1	H=4.8 K=4.8 D=3.2	3	5.4	7	828904-1	828922-1
1703013-8		A	CuNiSi	3									
1703013-4	1703017-4	A	CuFe2	1	0.2-0.4	1.2-2.1	E=2.1 G=2.1 D or =0.8	H=4.7 K=4.5 D=3.2	3	5.4	7	828904-1	828922-1
1703013-2	1703017-2	A	CuNiSi	2									
1703013-1	1703017-1	A	CuNiSi	1									
1703012-4	1703016-4	A	CuFe2	1	0.2-0.4	1.2-2.1	E=2.1 G=2.1 D or =0.8	H=4.7 K=4.5 D=3.2	3	5.4	7	828904-1	828922-1
			CuNiSi										
1703012-1	1703016-1	A	CuNiSi	1									

DIMENSIONS: mm 		TOLERANCES UNLESS OTHERWISE SPECIFIED: 0 PLC ±0.15 2 PLC ± 3 PLC ± 4 PLC ± ANGLES ±2° FINISH		DWN Abraham.G. 04FEB2004 CHK Goepfel.C. 05FEB2004 APVD Bleicher.M. 05FEB2004 PRODUCT SPEC 108-18028 APPLICATION SPEC 114-18040 WEIGHT 0.5g		Tyco Electronics AMP GmbH 64625 Bensheim NAME DIA 1.5mm CONTACT-PIN, ASSY FOR SINGLE WIRE SEALING Ø1.5mm Kontaktstift, Einzeldichtungssystem	
MATERIAL -		CUSTOMER DRAWING		SCALE 5:1		SHEET 1 OF 1	
				REV A5			