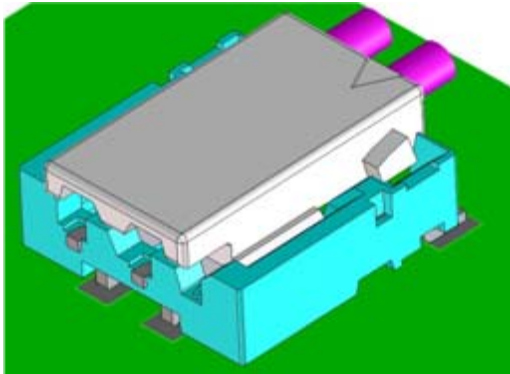


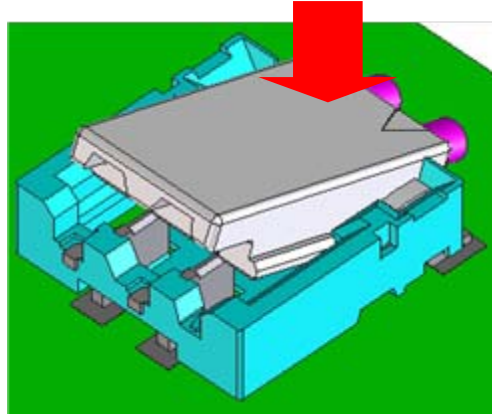
DF57 Insertion and removal operation method

Mating

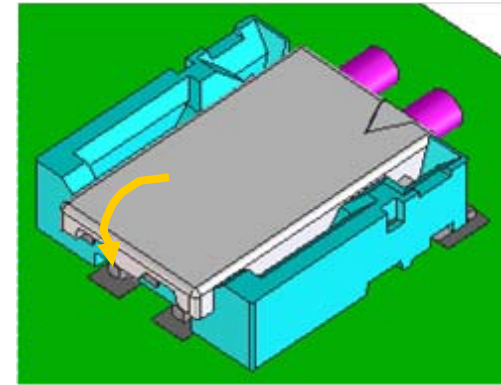
1. Determine position, fitting the external form



2. Insert the cable side

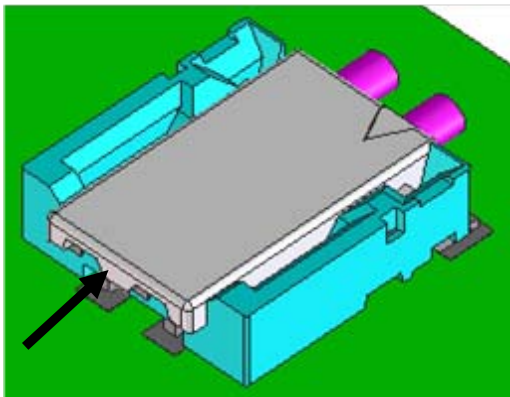


3. Push the contact portion side

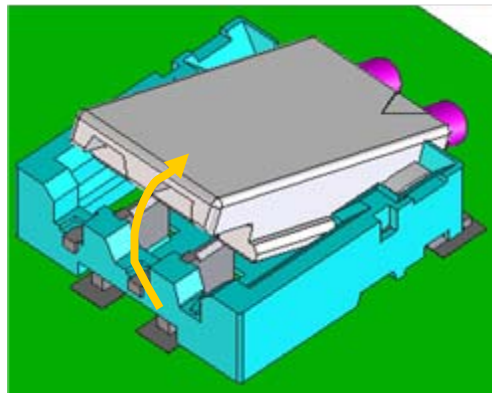


Unmating

1. Engage lever



2. Pull up and release the simple lock



3. The reinforced lock is also released and the un-mating is complete

