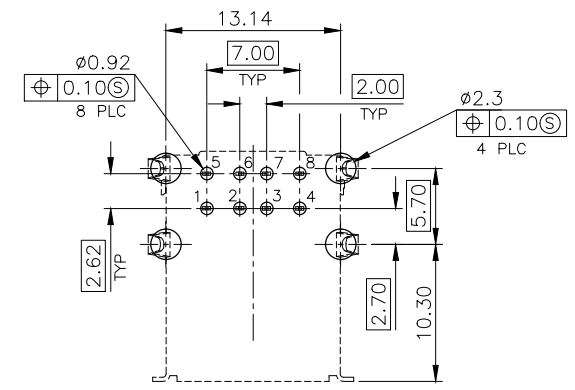
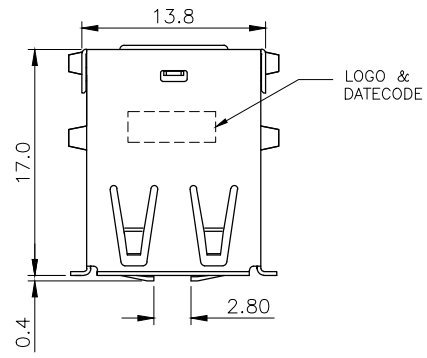
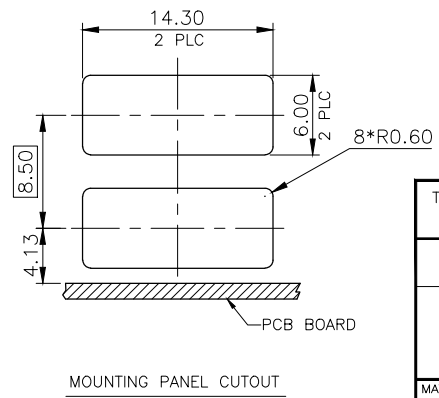
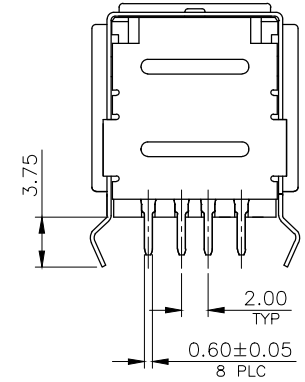
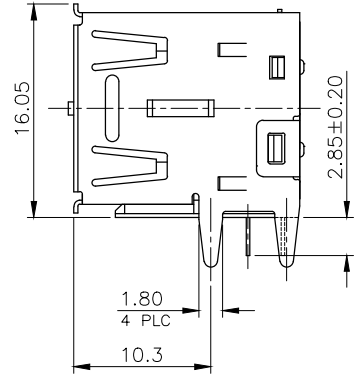
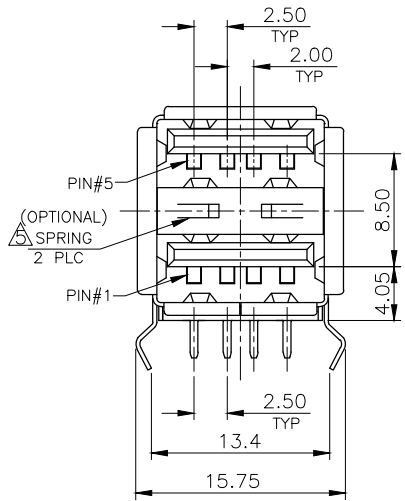


THIS DRAWING IS UNPUBLISHED. RELEASED FOR PUBLICATION
 © COPYRIGHT 2010 BY TYCO ELECTRONICS CORPORATION. ALL RIGHTS RESERVED.

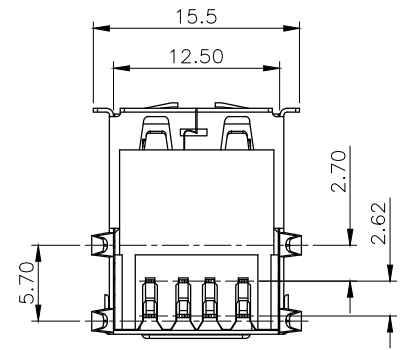
LOC		DIST		REVISIONS			
P	LTR	DESCRIPTION		DATE	DWN	APVD	
	C	REVISED (ECR-14-010868)		22JUL2014	S.C.	H.L.	



RECOMMENDED P.C.B LAYOUT
 TOP VIEW (TOLERANCE: ±0.05)



MOUNTING PANEL CUTOUT



NOTES:

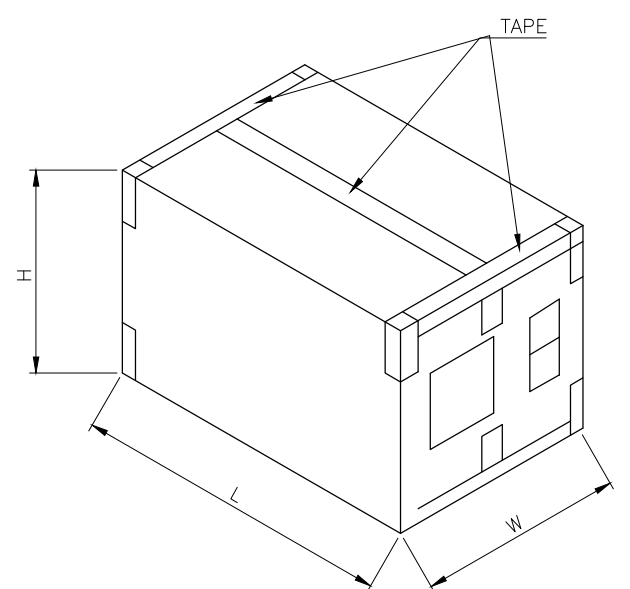
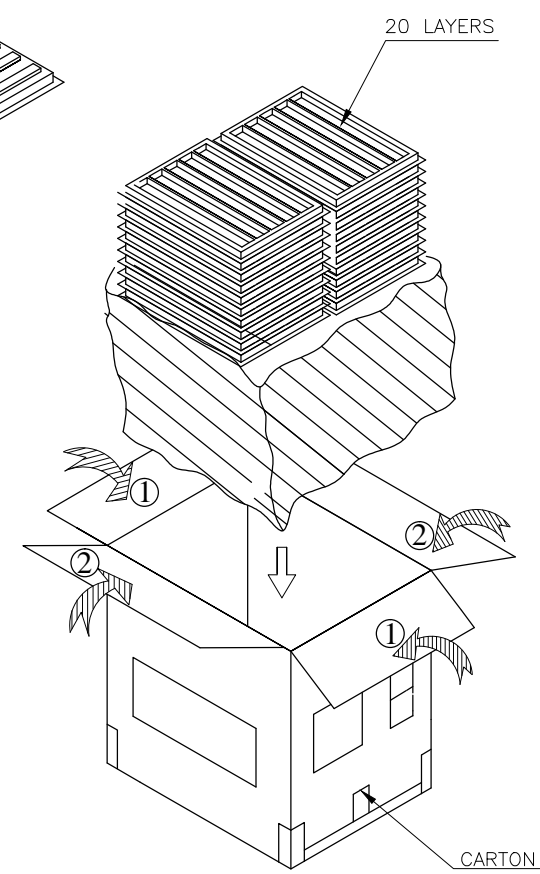
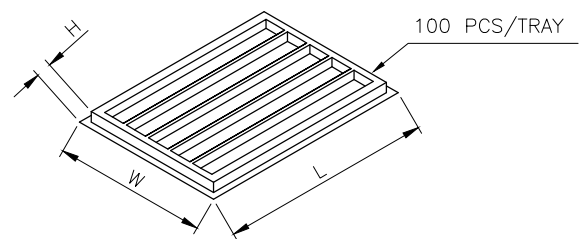
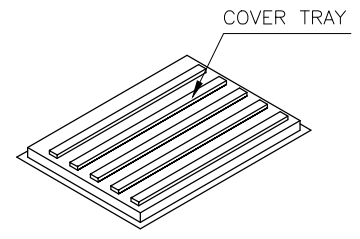
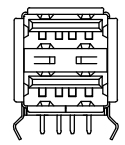
- MATERIAL:
 - HOUSING: SEE TABLE
(PA66 WITH 30% G.F, UL94 V-0, BLACK COLOR.
OR LCP WITH 30% G.F, UL94 V-0, BLACK COLOR.)
 - CONTACT: BRASS, T=0.25.
 - SHELL: SPCC.
 - REAR SHELL: SPCC.
 - SPRING: SPCC.
- FINISH:
 - CONTACT:
 - GOLD PLATING (SEE TABLE) ON CONTACT AREA, 2.54um [100u"] MIN. BRIGHT-TIN PLATING ON SOLDER TAIL AREA, 1.27um [50u"] MIN. NICKEL UNDERPLATING OVERALL.
 - SHELL:
 - 2.54um [100u"] MIN. BRIGHT-TIN PLATING, 1.27um [50u"] MIN. NICKEL UNDERPLATING OVERALL.
 - REAR SHELL: 1.27um [50u"] MIN. NICKEL PLATING.
 - SPRING : 1.27um [50u"] MIN. NICKEL PLATING.
- RECOMMENDED P.C.B THICKNESS :1.6mm.
- WAVE SOLDER CAPABLE TO 265°C PER TE SPEC. 109-202, CONDITION B.
- THE SPRING IS OPTIONAL.

0.381um [15u"]	W/ O	PA66	1-1775468-2
	W/	PA66	1-1775468-1
GOLD FLASH	W/ O	LCP	1775468-2
	W/	PA66	1775468-1
MIN. GOLD THICKNESS	△ SPRING	HSG MATERIAL	PART NUMBER

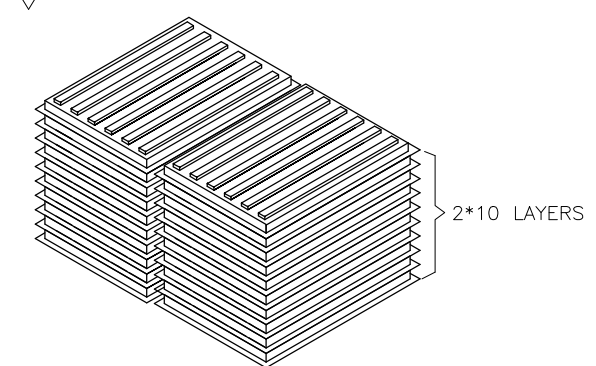
THIS DRAWING IS A CONTROLLED DOCUMENT.		DWN J. LEE 30MAR2007	TE Connectivity	
DIMENSIONS: mm		CHK S. HOU 30MAR2007		
TOLERANCES UNLESS OTHERWISE SPECIFIED:		APVD W.J. KF 30MAR2007	NAME	
0 PLC ± - 1 PLC ± 0.3 2 PLC ± 0.2 3 PLC ± 0.15 4 PLC ± - ANGLES ± 3°		PRODUCT SPEC 108-57519	USB A TYPE, RECEPTACLE DUAL PORT, R/A, DIP CONNECTOR	
MATERIAL SEE NOTE		APPLICATION SPEC	SIZE A3	CAGE CODE 00779
FINISH SEE NOTE		WEIGHT 5.31 GRAMS	DRAWING NO C=1775468	RESTRICTED TO
		CUSTOMER DRAWING	SCALE	SHEET 1 of 2
				REV C

THIS DRAWING IS UNPUBLISHED. RELEASED FOR PUBLICATION
 © COPYRIGHT 2010 BY TYCO ELECTRONICS CORPORATION. ALL RIGHTS RESERVED.

LOC DW	DIST	REVISIONS			
P	LTR	DESCRIPTION	DATE	DWN	APVD
		SEE SHEET 1.			



- NOTES:
1. DIMENSION:
 TRAY: L= 270, W=235, H=25
 SHIPPING CARTON: L= 485, W=280, H=210
 2. QUANTITY: (SEE TABLE)
 3. CARTON WEIGHT: (SEE TABLE)
 4. PE BAGS SEALED AND ADD DESICCANT.



11.6	10.6	100	20	2000
GROSS WEIGHT	NET WEIGHT	PCS/TRAY	TRAYS/CARTON	PCS/CARTON

THIS DRAWING IS A CONTROLLED DOCUMENT.		DWN	TE Connectivity		
DIMENSIONS: mm		CHK	NAME		
TOLERANCES UNLESS OTHERWISE SPECIFIED:		APVD	USB A TYPE, RECEPTACLE DUAL PORT, R/A, DIP CONNECTOR		
0 PLC ± -		PRODUCT SPEC	SIZE	CAGE CODE	DRAWING NO
1 PLC ± -		APPLICATION SPEC	A3	00779	C=1775468
2 PLC ± -		WEIGHT	RESTRICTED TO		
3 PLC ± -		CUSTOMER DRAWING	SCALE	SHEET	REV
4 PLC ± -				2 of 2	C
ANGLES ± -					
FINISH					