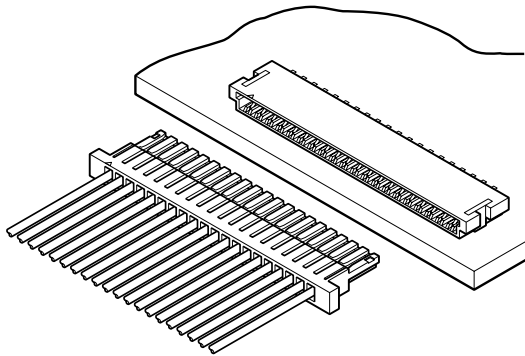


# SHL CONNECTOR

1.0mm pitch/Disconnectable Crimp style connectors



- **Thin design**
- **Low insertion force**
- **Deformation preventive design**

## Specifications

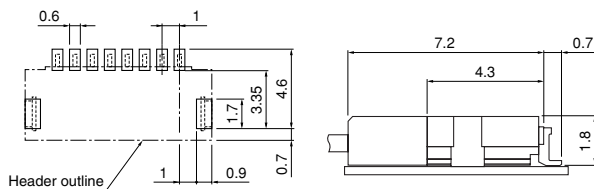
- Current rating: 1.0A AC, DC (AWG #28)
- Voltage rating: 50V AC, DC
- Temperature range: -25°C to +85°C  
(including temperature rise in applying electrical current)
- Contact resistance: Initial value/ 20m Ω max.  
After environmental testing/ 40m Ω max.
- Insulation resistance: 100M Ω min.
- Withstanding voltage: 500V AC/minute
- Applicable wire: AWG #32 to #28

- \* Compliant with RoHS.
- \* Refer to "General Instruction and Notice when using Terminals and Connectors" at the end of this catalog.
- \* Contact JST for details.

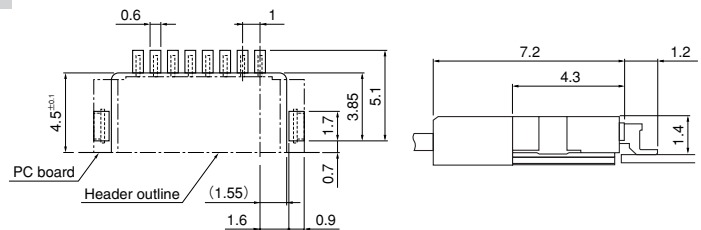
## Standards

- Ⓜ Recognized E60389
- Ⓢ Certified LR20812

### Normal type

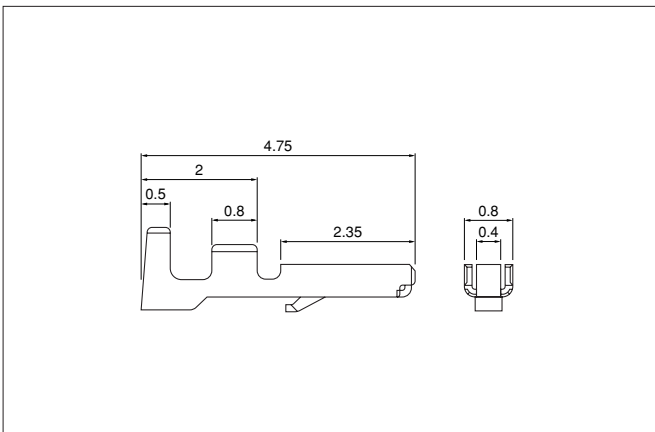


### Offset type



- Note: 1. The above figure is the figure viewed from the connector mounting side.  
 2. Tolerances are non-cumulative: ±0.05mm for all centers.  
 3. The dimensions above should serve as a guideline. Contact JST for details.

## Contact



Model No.	Applicable wire			Qty / reel
	mm <sup>2</sup>	AWG#	Insulation O.D. (mm)	
SSHL-003T-P0.2	0.032~0.08	32~28	0.4~0.8	30,000

### Material and Finish

Phosphor bronze, tin-plated (reflow treatment)

### RoHS compliance

Note: Contact JST for gold-plated products.

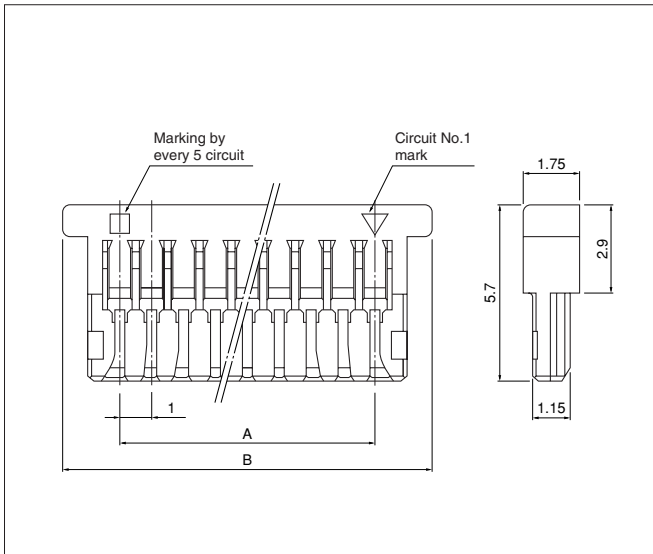
Contact	Crimping machine	Applicator		
		Crimp applicator	Dies	Crimp applicator with dies
SSHL-003T-P0.2	AP-K2N	MKS-L-10-3	MK/SSH/L-003-02	APLMK SSH/L003-02
		*MKS-SC	SC/SSH/L-003-02	APLSC SSH/L003-02

Note: \*Strip-crimp applicator

Contact JST for applicable wires in case that it is not usable due to wire size.

# SHL CONNECTOR

## Housing



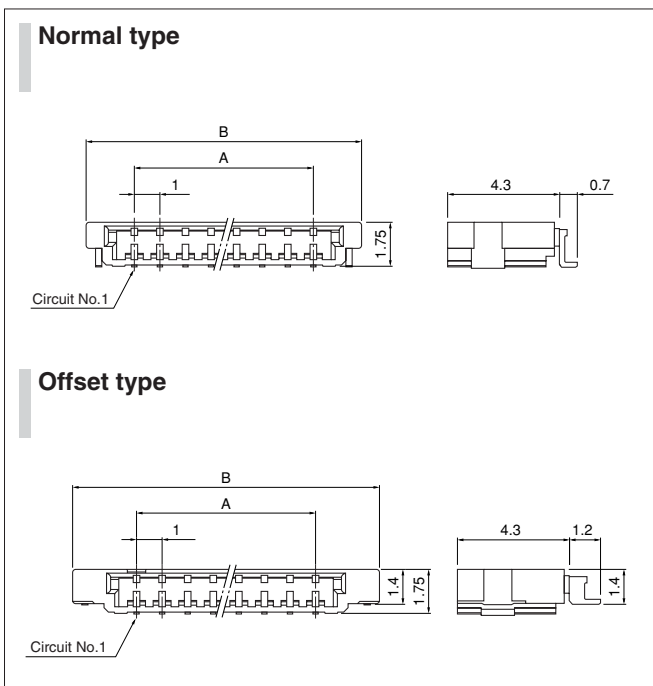
Circuits	Model No.	Dimensions (mm)		Q'ty / box
	With protrusions	A	B	
2	<b>SHLP-02V-S-B</b>	1.0	4.6	6,000
5	<b>SHLP-05V-S-B</b>	4.0	7.6	3,000
6	<b>SHLP-06V-S-B</b>	5.0	8.6	3,000
7	<b>SHLP-07V-S-B</b>	6.0	9.6	3,000
8	<b>SHLP-08V-S-B</b>	7.0	10.6	3,000
10	<b>SHLP-10V-S-B</b>	9.0	12.6	2,000
11	<b>SHLP-11V-S-B</b>	10.0	13.6	2,000
12	<b>SHLP-12V-S-B</b>	11.0	14.6	2,000
14	<b>SHLP-14V-S-B</b>	13.0	16.6	2,000
16	<b>SHLP-16V-S-B</b>	15.0	18.6	1,000
20	<b>SHLP-20V-S-B</b>	19.0	22.6	1,000
22	<b>SHLP-22V-S-B</b>	21.0	24.6	1,000
26	<b>SHLP-26V-S-B</b>	25.0	28.6	1,000
30	<b>SHLP-30V-S-B</b>	29.0	32.6	1,000

### Material

PBT, UL94V-0, natural (white)

RoHS compliance

## Shrouded header



Circuits	Model No.		Insulation O.D. (mm)				Q'ty / reel
	Normal type	Offset type	Normal type		Offset type		
			A	B	A	B	
2	<b>SM02B-SHLS-TF</b>	—	1.0	4.8	—	—	4,500
5	<b>SM05B-SHLS-TF</b>	—	4.0	7.8	—	—	4,500
6	<b>SM06B-SHLS-TF</b>	—	5.0	8.8	—	—	4,500
7	<b>SM07B-SHLS-TF</b>	—	6.0	9.8	—	—	4,500
8	<b>SM08B-SHLS-TF</b>	<b>SM08B-SHLS-1-TF</b>	7.0	10.8	7.0	12.0	4,500
10	<b>SM10B-SHLS-TF</b>	—	9.0	12.8	—	—	4,500
11	<b>SM11B-SHLS-TF</b>	—	10.0	13.8	—	—	4,500
12	<b>SM12B-SHLS-TF</b>	—	11.0	14.8	—	—	4,500
14	<b>SM14B-SHLS-TF</b>	<b>SM14B-SHLS-1-TF</b>	13.0	16.8	13.0	18.0	4,500
16	<b>SM16B-SHLS-TF</b>	—	15.0	18.8	—	—	4,500
20	<b>SM20B-SHLS-TF</b>	<b>SM20B-SHLS-1-TF</b>	19.0	22.8	19.0	24.0	4,500
22	<b>SM22B-SHLS-TF</b>	—	21.0	24.8	—	—	4,500
26	<b>SM26B-SHLS-TF</b>	—	25.0	28.8	—	—	4,500
30	<b>SM30B-SHLS-TF</b>	—	29.0	32.8	—	—	4,500

### Material and Finish

Contact: Phosphor bronze, copper-undercoated, tin-plated (reflow treatment)  
Housing: PA, UL94V-0, natural (ivory)  
Solder tab: Brass, copper-undercoated, tin-plated (reflow treatment)

RoHS compliance This product displays (LF)(SN) on a label.  
Note: Contact JST for the headers with gold-plated pins.