

PhotoMOS[®] Dimensions


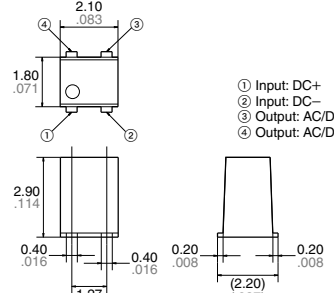
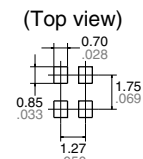

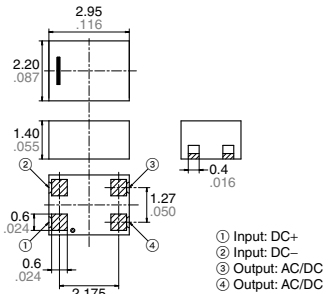
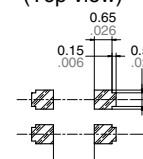

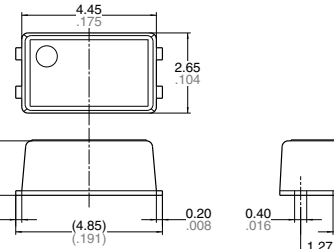
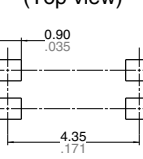

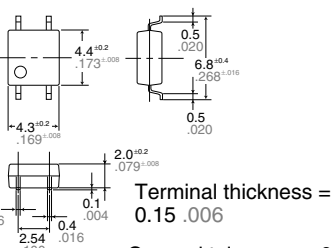
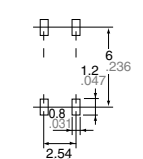

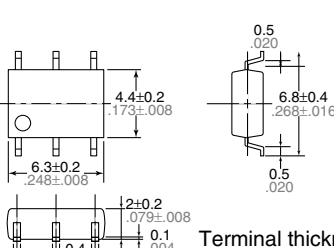
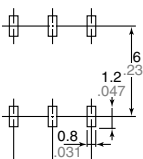
mm inch

| Type | Dimensions | | |
|--|---|---|--|
| AQY21(DIP) AQY41(DIP) Series | <p>Through hole terminal type</p> | <p>Surface mount terminal type</p> | <p>PC board pattern (Bottom view)</p> <p>Tolerance: $\pm 0.1 \pm .004$</p> |
| | <p>Terminal thickness = 0.2 .008</p> <p>General tolerance: $\pm 0.1 \pm .004$</p> | <p>Terminal thickness = 0.2 .008</p> <p>General tolerance: $\pm 0.1 \pm .004$</p> | <p>Recommended mounting pad (Top view)</p> <p>Tolerance: $\pm 0.1 \pm .004$</p> |
| | <p>General tolerance: $\pm 0.1 \pm .004$</p> | | |
| AQV10(DIP) AQV11(DIP) AQV20(DIP) AQV21(DIP) AQV22(DIP) AQV23(DIP) AQV25(DIP) AQV41(DIP) AQV45(DIP) Series | <p>Through hole terminal type</p> | <p>Surface mount terminal type</p> | <p>PC board pattern (Bottom view)</p> <p>Tolerance: $\pm 0.1 \pm .004$</p> |
| | <p>Terminal thickness = 0.25 .010</p> <p>General tolerance: $\pm 0.1 \pm .004$</p> | <p>Terminal thickness = 0.25 .010</p> <p>General tolerance: $\pm 0.1 \pm .004$</p> | <p>Recommended mounting pad (Top view)</p> <p>Tolerance: $\pm 0.1 \pm .004$</p> |
| | <p>General tolerance: $\pm 0.1 \pm .004$</p> | | |
| APV1122(DIP) | <p>Through hole terminal type</p> | <p>Surface mount terminal type</p> | <p>PC board pattern (Bottom view)</p> <p>Tolerance: $\pm 0.1 \pm .004$</p> |
| | <p>Terminal thickness = 0.25 .010</p> <p>General tolerance: $\pm 0.1 \pm .004$</p> | <p>Terminal thickness = 0.25 .010</p> <p>General tolerance: $\pm 0.1 \pm .004$</p> | <p>Recommended mounting pad (Top view)</p> <p>Tolerance: $\pm 0.1 \pm .004$</p> |
| | <p>General tolerance: $\pm 0.1 \pm .004$</p> | | |


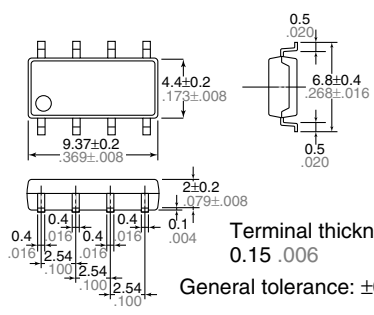
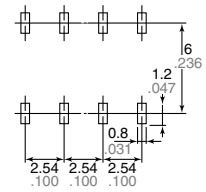

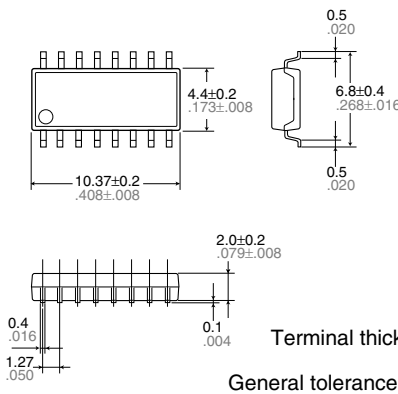
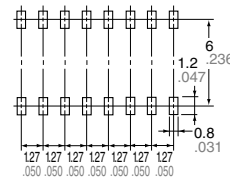

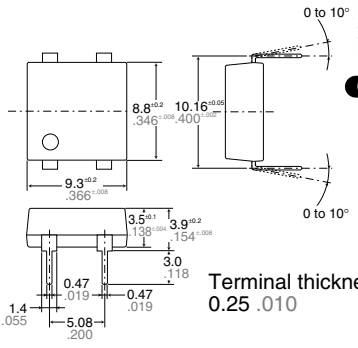
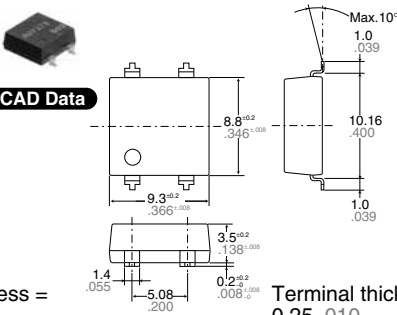
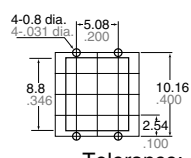
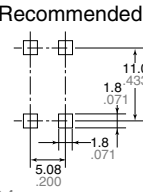

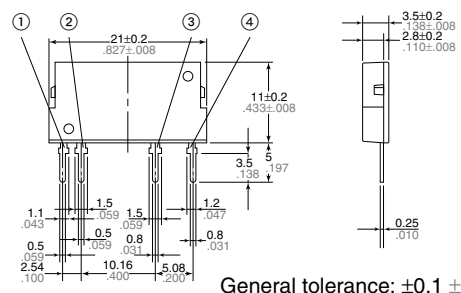
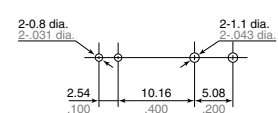
The CAD data of the products with a **CAD Data** mark can be downloaded from: <http://industrial.panasonic.com/ac/e/>

| Type | Dimensions | | |
|--|--|--|--|
| AQW21(DIP) AQW22(DIP) AQW25(DIP) AQW41(DIP) AQW45(DIP) AQW61(DIP) AQW65(DIP) Series | <div style="display: flex; justify-content: space-around;"> <div style="text-align: center;"> <p>Through hole terminal type</p> </div> <div style="text-align: center;"> <p>Surface mount terminal type</p> </div> <div style="text-align: center;"> <p>PC board pattern (Bottom view)</p> </div> </div> <div style="text-align: center; margin-top: 20px;"> <p>Recommended mounting pad (Top view)</p> </div> | | |
| | AQW21○EH (DIP) AQW21○HL (DIP) AQW41○EH (DIP) AQW61○EH (DIP) Series | <div style="display: flex; justify-content: space-around;"> <div style="text-align: center;"> <p>Through hole terminal type</p> </div> <div style="text-align: center;"> <p>Surface mount terminal type</p> </div> <div style="text-align: center;"> <p>PC board pattern (Bottom view)</p> </div> </div> <div style="text-align: center; margin-top: 20px;"> <p>Recommended mounting pad (Top view)</p> </div> | |
| AQY2C(TSON) Series | | <div style="display: flex; justify-content: space-between;"> <div style="width: 45%;"> <p>CAD Data</p> </div> <div style="width: 50%;"> <p>Recommended mounting pad (Top view)</p> </div> </div> <p style="text-align: center; margin-top: 20px;">General tolerance: ±0.2 ±.008</p> | |


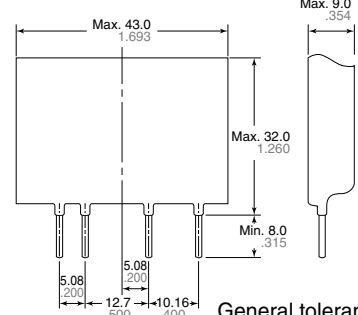
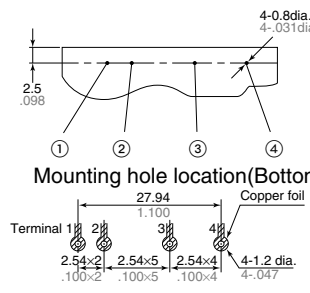

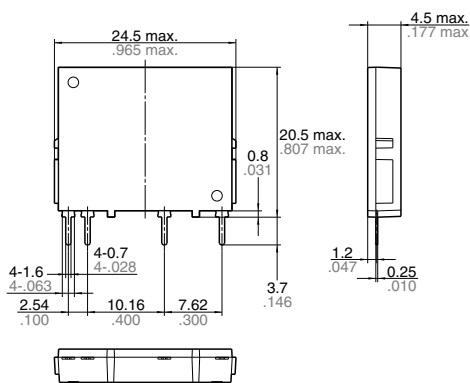
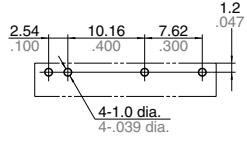
The CAD data of the products with a **CAD Data** mark can be downloaded from: <http://industrial.panasonic.com/ac/e/>

| Type | Dimensions | |
|--|---|--|
| <p>AQY22(VSSOP) Series</p> <p> CAD Data</p> |  <p>General tolerance: $\pm 0.1 \pm .004$</p> | <p>Recommended mounting pad (Top view)</p>  <p>Tolerance: $\pm 0.1 \pm .004$</p> |
| <p>AQY22(SON) Series</p> <p> CAD Data</p> |  <p>General tolerance: $\pm 0.2 \pm .008$</p> | <p>Recommended mounting pad (Top view)</p>  <p>Tolerance: $\pm 0.1 \pm .004$</p> |
| <p>APV21(SSOP) AQY22(SSOP) Series</p> <p> CAD Data</p> |  <p>Terminal thickness = $0.15 \pm .006$ General tolerance: $\pm 0.1 \pm .004$</p> | <p>Recommended mounting pad (Top view)</p>  <p>Tolerance: $\pm 0.1 \pm .004$</p> |
| <p>APV11(SOP) APV21(SOP) AQY21(SOP) AQY22(SOP) AQY23(SOP) AQY41(SOP) Series</p> <p> CAD Data</p> |  <p>Terminal thickness = $0.15 \pm .006$ General tolerance: $\pm 0.1 \pm .004$</p> | <p>Recommended mounting pad (Top view)</p>  <p>Tolerance: $\pm 0.1 \pm .004$</p> |
| <p>AQV21(SOP) AQV22(SOP) AQV25(SOP) AQV41(SOP) Series</p> <p> CAD Data</p> |  <p>Terminal thickness = $0.15 \pm .006$ General tolerance: $\pm 0.1 \pm .004$</p> | <p>Recommended mounting pad (Top view)</p>  <p>Tolerance: $\pm 0.1 \pm .004$</p> |

The CAD data of the products with a **CAD Data** mark can be downloaded from: <http://industrial.panasonic.com/ac/e/>

| Type | Dimensions | | | |
|--|--|---|--|--|
| AQW21(SOP) AQW22(SOP) AQW41(SOP) AQW61(SOP) Series |  <p>CAD Data</p> |  <p>Terminal thickness = 0.15 .006 General tolerance: $\pm 0.1 \pm .004$</p> | <p>Recommended mounting pad (Top view)</p>  <p>Tolerance: $\pm 0.1 \pm .004$</p> | |
| AQS22(SOP) Series |  <p>CAD Data</p> |  <p>Terminal thickness = 0.15 .006 General tolerance: $\pm 0.1 \pm .004$</p> | <p>Recommended mounting pad (Top view)</p>  <p>Tolerance: $\pm 0.1 \pm .004$</p> | |
| AQY27 (Power-DIP) Series |  <p>CAD Data</p> | <p>Through hole terminal type</p>  <p>Terminal thickness = 0.25 .010 General tolerance: $\pm 0.1 \pm .004$</p> | <p>Surface mount terminal type</p>  <p>Terminal thickness = 0.25 .010 General tolerance: $\pm 0.1 \pm .004$</p> | <p>PC board pattern (Bottom view)</p>  <p>Tolerance: $\pm 0.1 \pm .004$</p> <p>Recommended mounting pad (Top view)</p>  <p>Tolerance: $\pm 0.1 \pm .004$</p> |
| AQZ10(SIL) AQZ20(SIL) AQZ40(SIL) Series |  <p>CAD Data</p> |  <p>General tolerance: $\pm 0.1 \pm .004$</p> | <p>PC board pattern (Bottom view)</p>  <p>Tolerance: $\pm 0.1 \pm .004$</p> <p>AC/DC type</p> <ul style="list-style-type: none"> ① Input: DC- ② Input: DC+ ③ Output: DC or AC ④ Output: DC or AC <p>DC type</p> <ul style="list-style-type: none"> ① Input: DC- ② Input: DC+ ③ Output: DC- ④ Output: DC+ | |

The CAD data of the products with a **CAD Data** mark can be downloaded from: <http://industrial.panasonic.com/ac/e/>

| Type | Dimensions | | | | | | |
|---|--|-------|--------|-----|-----|-----|-----|
| <p>AQZ26(SIL) Series</p>  <p>CAD Data</p> |  <p>General tolerance: $\pm 0.5 \pm .020$ Pitch tolerance: $\pm 0.1 \pm .004$</p> <p>Mounting hole location (Bottom view)</p>  <p>① Input: DC - ② Input: DC + ③ Output: AC or DC ④ Output: AC or DC</p> | | | | | | |
| <p>AQZ19(SIL) Series</p>  <p>CAD Data</p> |  <p>General tolerance: $\pm 0.2 \pm .008$</p> <p>PC board pattern (Bottom view)</p>  <p>Tolerance: $\pm 0.1 \pm .004$</p> <p>Schematic</p> <table border="0"> <tr> <td>Input</td> <td>Output</td> </tr> <tr> <td>- +</td> <td>o o</td> </tr> <tr> <td>o o</td> <td>o o</td> </tr> </table> | Input | Output | - + | o o | o o | o o |
| Input | Output | | | | | | |
| - + | o o | | | | | | |
| o o | o o | | | | | | |

The CAD data of the products with a **CAD Data** mark can be downloaded from: <http://industrial.panasonic.com/ac/e/>